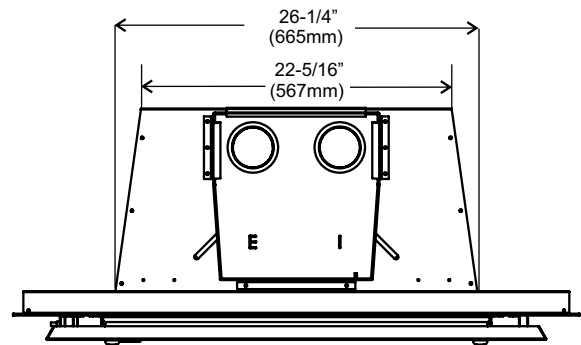


## U32-10 Gas Insert

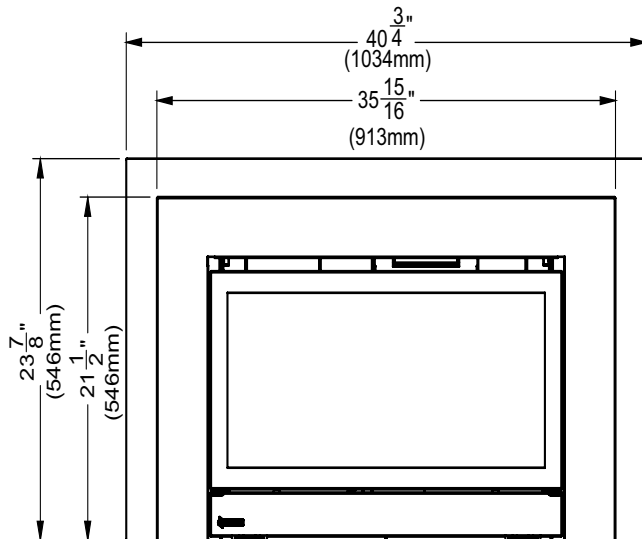
Model	U32-NG10	U32-LP10
Fuel Type	Natural Gas	Propane
Minimum Supply Pressure	5" W.C. (1.25 kPa)	12" W.C. (2.99 kPa)
Manifold Pressure - High	3.8" W.C. (0.95 kPa)	11" W.C. (2.74 kPa)
Manifold Pressure - Low	1.1" W.C. (0.27 kPa)	2.9" W.C. (0.72 kPa)
Orifice Size -Altitude 0-4500 ft.	#37 DMS	#52 DMS
Minimum Input Altitude 0-4500 ft. (0-1372m)	15,300 BTU/h (4.48 kW)	15,000 BTU/h (4.40 kW)
Maximum Input Altitude 0-4500 ft. (0-1372m)	30,000 BTU/h (8.79 kW)	30,000 BTU/h (8.79 kW)
Vent Sizing	3" Co-linear	3" Co-linear

Approved Venting Systems	
Flex Vent Systems:	FPI AstroCap™ Flex Vent
Alternate Approved Caps	
46DVA-VC Vertical Termination Cap	
46DVA-VCH High Wind Vertical Termination Cap	
46DVA-GK 3" Co-Linear adapter with flashing	

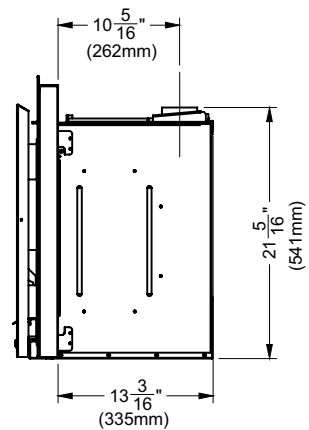
In areas of consistently high winds, we recommend using the Simpson Dura-Vent System 46DVA-GK adapter and 46DVA-VCH high-wind cap. The Air Intake pipe must be attached to the inlet air collar of the termination cap.



### Unit Dimensions



Low Profile Faceplate Dimensions



U32-10 Regency Gas Insert

## Minimum Fireplace Dimensions

The minimum fireplace dimensions for the Regency gas fireplace insert are shown in the following diagrams:

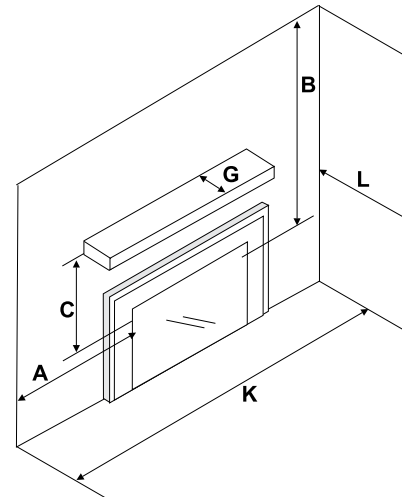
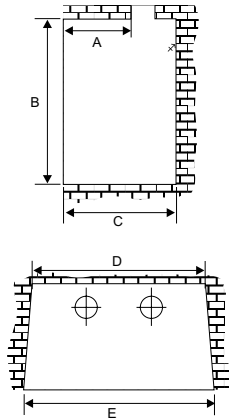


Diagram 1

	Max Mantel Bar Depth A	Height B	Depth C	Width (rear) D	Width (front) E
Low Profile Faceplate w/Spacer	8-1/8"	22"	14"	22-1/2"	26-1/2"
Low Profile Faceplate	9-3/4"	22"	15-5/8"	22-1/2"	29-3/4"

## Combustible Mantel Clearances in Masonry and Factory Built Fireplace Installations

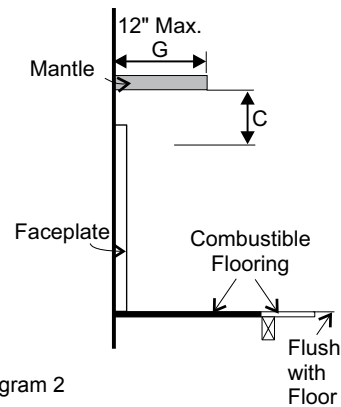


Diagram 2

## Clearances

Unless otherwise stated the clearances listed below are Minimum distances to combustible materials. **Please Note: A major cause of chimney related fires is due to a failure to maintain required clearances (air space) to combustible materials. It is of the greatest importance that this fireplace and vent system be installed only in accordance with these instructions.**

### Minimum Clearances to Combustibles

	From Unit	
<b>Sides</b>	<b>A</b>	10" / 255 mm
<b>Ceiling</b>	<b>B</b>	47.5" / 1205 mm
<b>Mantel</b>	<b>C</b>	see Dia. 2 & 3
<b>Max. Mantle Depth</b>	<b>G</b>	12" / 305 mm (See Dia. 2)
<b>Min. Alcove Width</b>	<b>K</b>	48" / 1220 mm
<b>Max. Alcove Depth</b>	<b>L</b>	36" / 915 mm

**\*No Hearth Required**

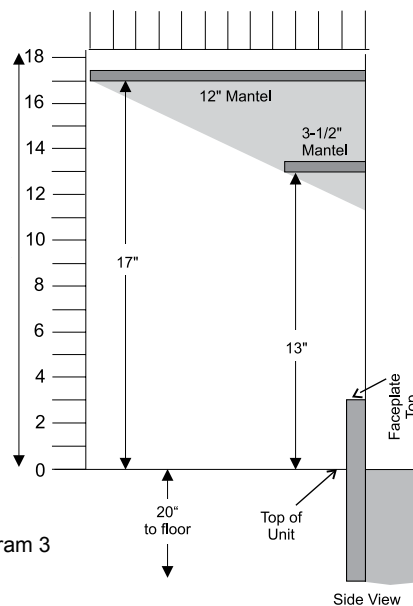


Diagram 3

Side View

## VENTING

**THE APPLIANCE MUST NOT BE CONNECTED TO A CHIMNEY FLUE SERVING A SEPARATE SOLID FUEL BURNING APPLIANCE.**

This appliance is designed to be attached to two 3" (76mm) co-linear aluminium flex running the full length of the chimney. The flue length must be a minimum length of 8' (2.44m) and a maximum of 35' (10.7m). See chart above for minimum distances from roof. Periodically check that the vent is unrestricted.

Masonry chimneys may take various contours which the flexible liner will accommodate. However, **keep the flexible liner as straight as possible**, avoid unnecessary bending.

Part #	Description
948-305	3" Flex - 35 ft.
946-529	FPI Co-linear DV Vertical Termination Cap

### Alternate Approved Caps

46DVA-VC	Vertical Termination Cap
46DVA-VCH	High Wind Cap
46DVA-GK	3" Co-linear Adaptor with flashing

In areas of consistently high winds, we recommend using the Simpson Dura-Vent System (46DVA-GK adapter and 46DVA-VCH high-wind cap).

The Air Intake pipe must be attached to the inlet air collar of the termination cap.

### Important:

Air Deflector (Part #420-119) is required for all LP installations. For Natural Gas installations -the air deflector is required when venting is a minimum of 15ft to a maximum of 35ft. Not required on NG if venting is between 8ft. to 14.99ft



Install the rear air deflector to the back wall of the firebox using 2 existing lower 1/4" screws.

